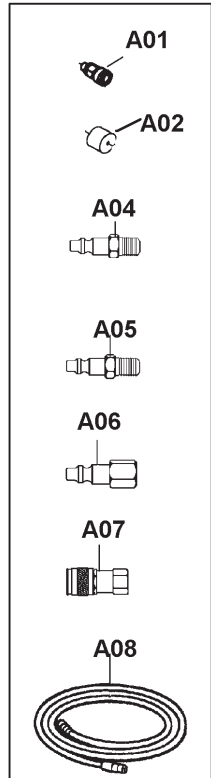
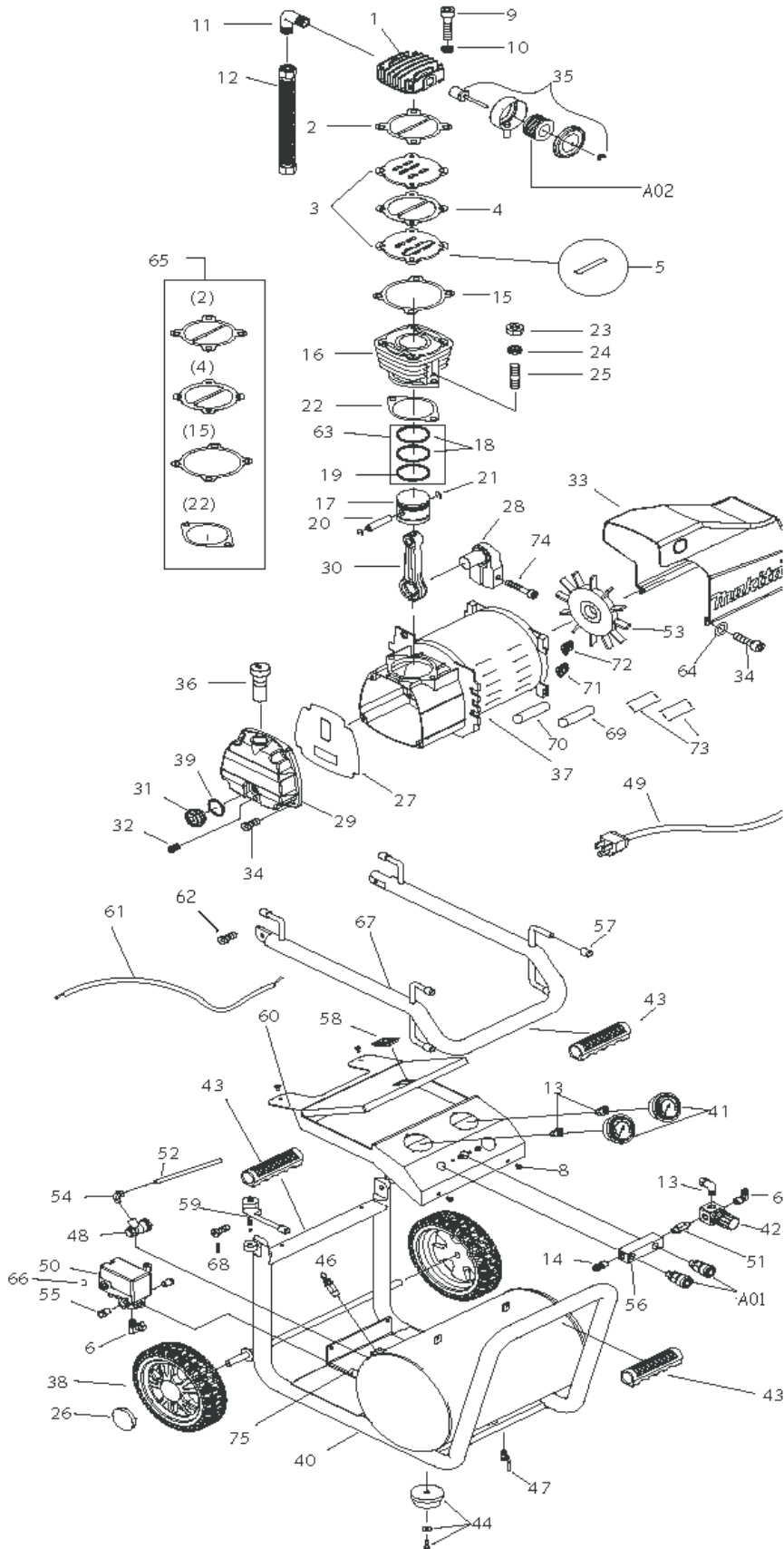




10 - 2010
MAC5200
3HP, 5.2Gal. SINGLE COMPRESSOR
Regular Tire
(*No-Flat Tire, See Page 4 - MAC5200-P)



| Item No. | Type | Sub | Part No. | Description | Qty | Unit |
|----------|------|-----|-----------|-----------------------------------------------------------|-----|------|
| 1 | | | 101001 | CYLINDER HEAD | 1 | PC. |
| 2 | | | 211001 | VALVE SEAT TO HEAD GASKET | 1 | PC. |
| 3 | | | 104005 | INLET & EXHAUST VALVE SEAT | 2 | PC. |
| 4 | | | 212006 | INLET & EXHAUST VALVE SEAL GASKET | 1 | PC. |
| 5 | | | 125004 | INLET & EXHAUST VALVE PLATE | 2 | PC. |
| 6 | | | 151209 | ELBOW | 2 | PC. |
| 8 | | | 365003 | BOLT FOR CONSOLE | 4 | PC. |
| 9 | | | 352087 | CYLINDER HEAD BOLT | 4 | PC. |
| 10 | | | 382011 | SPRING WASHER | 4 | PC. |
| 11 | | | 151404 | DISCHARGE ELBOW | 1 | PC. |
| 12 | | | 230092S | DISCHARGE TUBE ASSY | 1 | PC. |
| 13 | | | 151001 | UNLOADING ELBOW | 3 | PC. |
| 14 | | | 441025 | NIPPLE | 1 | PC. |
| 15 | | | 213009 | VALVE SEAT TO CYLINDER GASKET | 1 | PC. |
| 16 | | | 201013 | CYLINDER | 1 | PC. |
| 17 | | | 203002 | PISTON | 1 | PC. |
| 18 | | | 206002 | COMPRESSION RING | 2 | PC. |
| 19 | | | 207002 | OIL CONTROL RING | 1 | PC. |
| 20 | | | 204002 | PISTON PIN | 1 | PC. |
| 21 | | | 205001 | PISTON PIN SNAP RING | 2 | PC. |
| 22 | | | 214001 | CYLINDER TO CRANKCASE GASKET | 1 | PC. |
| 23 | | | 371005 | SET NUT (CYLINDER TO CRANKCASE) | 2 | PC. |
| 24 | | | 382005 | SPRING WASHER (CYLINDER TO CRANKCASE) | 2 | PC. |
| 25 | | | 358001 | DOUBLE HEAD SCREW | 2 | PC. |
| 26 | 1 | | 402015-01 | RETAINER CAP L, PLASTIC F/WHEEL #402015 (Use with 403002) | 2 | PC. |
| | 2 | | 403002 | RETAINER CAP S, METAL F/WHEEL #402015 OR #2920295 | 2 | PC. |
| 27 | | | 215001 | CRANKCASE COVER GASKET | 1 | PC. |
| 28 | | | 302001 | CRANKSHAFT | 1 | PC. |
| 29 | | | 304014 | CRANKCASE COVER | 1 | PC. |
| 30 | | | 316001 | CONNECTING ROD | 1 | PC. |
| 31 | | | 321001 | OIL SIGHT GAUGE | 1 | PC. |
| 32 | | | 360001 | OIL DRAINING PLUG | 1 | PC. |
| 33 | | | 433011 | MOTOR COVER | 1 | PC. |
| 34 | | | 352071 | MOTOR/CRANKCASE COVER BOLT | 9 | PC. |
| 35 | | | 170013 | AIR FILTER ASSY | 1 | PC. |
| 36 | | | 324003 | OIL FILLER/CRANKCASE BREATHER | 1 | PC. |
| 37 | | | 251209 | ELECTRIC MOTOR/CRANKCASE | 1 | PC. |
| 38 | 1 | | 402015 | WHEEL | 2 | PC. |
| | 2 | | 2020295 | WHEEL | 2 | PC. |
| 39 | | | 217001 | OIL GAUGE GASKET | 1 | PC. |
| 40 | | | 401125 | AIR TANK WITH FRAME | 1 | PC. |
| 41 | | | 411029 | PRESSURE GAUGE | 2 | PC. |
| 42 | | | 410029 | REGULATOR | 1 | PC. |
| 43 | | | 435016 | RUBBER HANDLE | 3 | PC. |
| 44 | | | 434006 | TANK FOOT ASSY | 2 | PC. |
| 46 | | | 407001 | SAFETY VALVE (1/4") | 1 | PC. |
| 47 | | | 413008 | DRAIN COCK | 1 | PC. |
| 48 | | | 409004 | CHECK VALVE | 1 | PC. |
| 49 | | | 452015 | POWER CORD | 1 | PC. |
| 50 | | | 412025 | PRESSURE SWITCH | 1 | PC. |
| 51 | | | 441001 | REGULATOR NIPPLE | 1 | PC. |
| 52 | | | 228070 | UNLOADING TUBE ASSY (1/4") | 1 | PC. |
| 53 | | | 431010 | MOTOR FAN | 1 | PC. |
| 54 | | | 151002 | UNLOADING ELBOW | 1 | PC. |
| 55 | | | 360002 | PLUG | 2 | PC. |
| 56 | | | 421006 | MANIFOLD BLOCK | 1 | PC. |
| 57 | | | 439008 | RUBBER CUP | 6 | PC. |

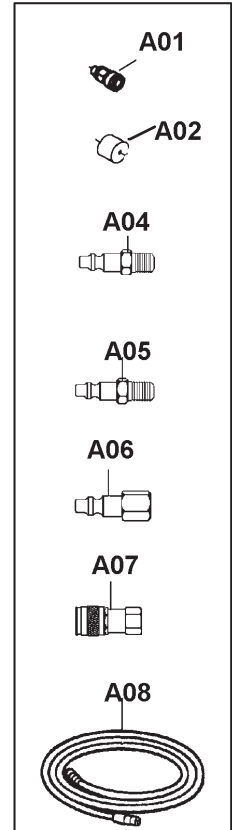
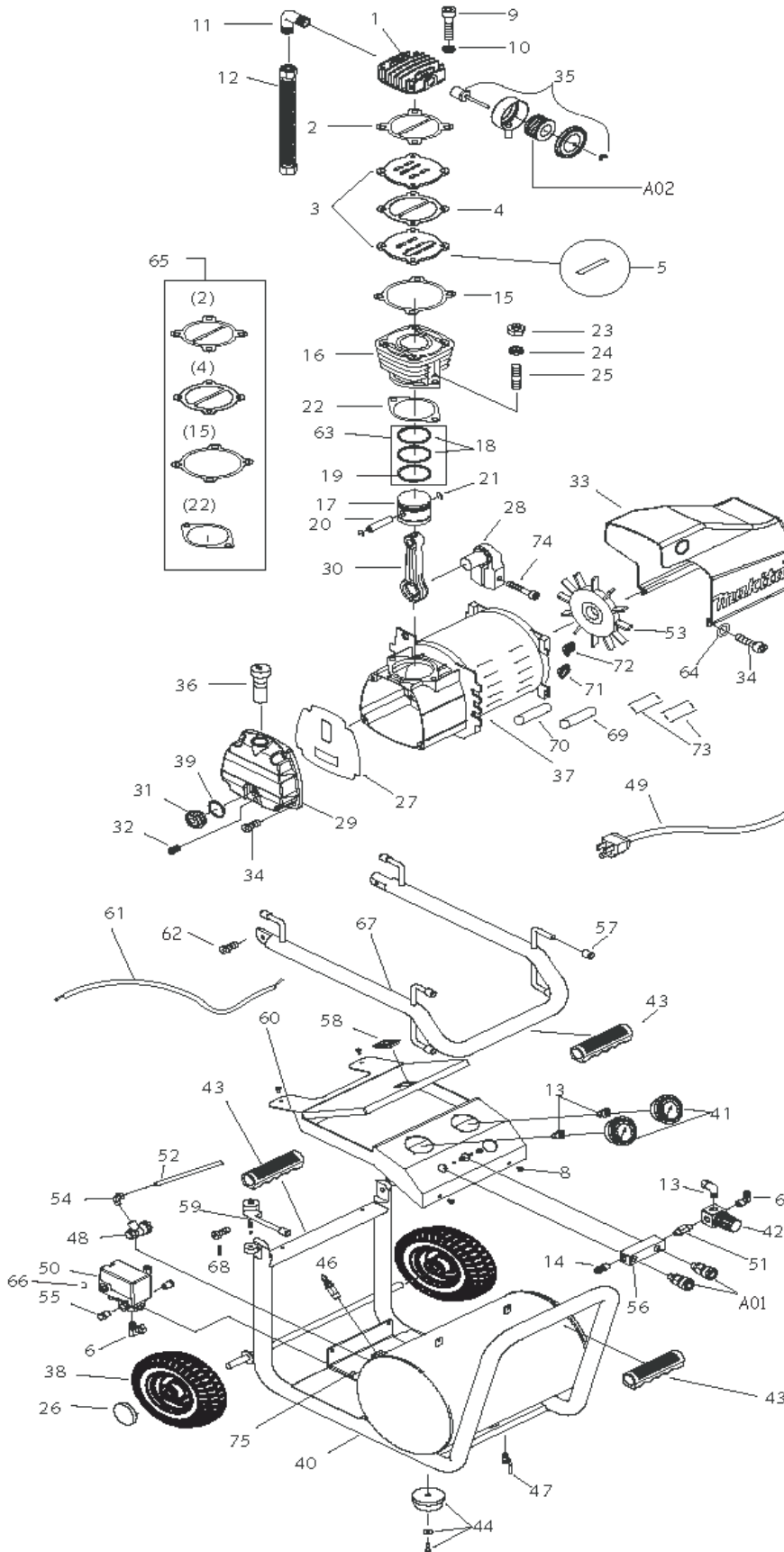
| Item No. | Type | Sub | Part No. | Description | Qty | Unit |
|----------|------|-----|----------|------------------------------------------|-----|------|
| 58 | | | 435015 | TOOL BOX LOCK | 1 | PC. |
| 59 | | | 435010 | FOLDING HANDLE LOCK SET (L&R) | 1 | PC. |
| 60 | | | 480039 | TOOL BOX | 1 | PC. |
| 61 | | | 453076 | WIRING HARNESS (MOTOR PR. SWITCH) | 1 | PC. |
| 62 | | | 353145 | BOLT FOR FOLDING HANDLE LOCK | 2 | PC. |
| 63 | | | RK5200 | RING KIT (Includes Item 18 & 19) | 1 | PC. |
| 64 | | | 382004 | SPRING WASHER FOR MOTOR COVER | 4 | PC. |
| 65 | | | GK5200 | GASKET KIT (Includes Item 2, 4, 15 & 22) | 1 | PC. |
| 66 | | | 457002 | STRAIN RELIEF CLIP | 1 | PC. |
| 67 | | | 435006 | FOLDING HANDLE | 1 | PC. |
| 68 | | | 351074 | BOLT FOR FOLDING HANDLE LOCK | 2 | PC. |
| 69 | | | 460008 | START CAPACITOR | 1 | PC. |
| 70 | | | 462009 | RUN CAPACITOR | 1 | PC. |
| 71 | | | 458003 | OVERLOAD SWITCH | 1 | PC. |
| 72 | | | 459002 | CENTRIFUGAL SWITCH | 1 | PC. |
| 73 | | | 455015 | CAPACITOR COVER | 2 | PC. |
| 74 | | | 352106 | CRANKSHAFT BOLT | 1 | PC. |
| 75 | | | 488005 | BASE PLATE | 1 | PC. |
| 76 | | | 247110 | TUBE 3/8" (Added) | 1 | PC. |
| 77 | | | 240050 | TUBE 5/32" x 1/4" (Added) | 1 | PC. |
| 78 | | | 353145 | BOLT (Added) | 1 | PC. |
| 80 | | | 353001 | SCREW F/PRESSURE GAUGE | 1 | PC. |
| 81 | | | 371001 | NUT F/PRESSURE GAUGE | 1 | PC. |
| C01 | | | 471151 | CARTON | 1 | PC. |

ACCESSORIES

| | | | | | | |
|-----|---|--|------------|------------------------------------------|---|-----|
| A01 | 1 | | 447013 | QUICK COUPLER (1/4") | 2 | PC. |
| | 2 | | 10TT-8 | QUICK COUPLER (1/4") | 2 | PC. |
| A02 | | | 171006 | AIR FILTER (ELEMENT ONLY) | 1 | PC. |
| A03 | | | 181122-A | COMPRESSOR OIL (0.3L) | 1 | PC. |
| | | | EAOIL10 | COMPRESSOR OIL (1 LITER) | 1 | PC. |
| A04 | | | YY036003-A | QUICK CONNECT 1/4" X 1/4" MALE | 1 | PC. |
| A05 | | | YY36003-1 | QUICK CONNECT 1/4" X 3/8" MALE | 1 | PC. |
| A06 | | | YY311002-X | QUICK CONNECT 1/4" X 1/4" FEMALE | 1 | PC. |
| A07 | | | YY311018-A | UNIVERSAL AIR COUPLER 1/4" X 1/4" FEMALE | 1 | PC. |
| A08 | | | YYVAH25 | 3/8" X 25' P.V.C. AIR HOSE | 1 | PC. |
| | | | YYVAH50 | 3/8" X 50' P.V.C. AIR HOSE | 1 | PC. |
| | | | YYRAH25 | 3/8" X 25' RUBBER AIR HOSE | 1 | PC. |
| | | | YYRAH50 | 3/8" X 50' RUBBER AIR HOSE | 1 | PC. |
| | | | YYRAH100 | 3/8" X 100' RUBBER AIR HOSE | 1 | PC. |



10 - 2010
MAC5200-P
3HP, 5.2Gal. SINGLE COMPRESSOR
No-Flat Tire
(*Regular Tire, See Page 1 - MAC5200)



| Item No. | Type | Sub | Part No. | Description | Qty | Unit |
|----------|------|-----|---------------|---------------------------------------|-----|------|
| 1 | | | 101001 | CYLINDER HEAD | 1 | PC. |
| 2 | | | 211001 | VALVE SEAT TO HEAD GASKET | 1 | PC. |
| 3 | | | 104005 | INLET & EXHAUST VALVE SEAT | 2 | PC. |
| 4 | | | 212006 | INLET & EXHAUST VALVE SEAL GASKET | 1 | PC. |
| 5 | | | 125004 | INLET & EXHAUST VALVE PLATE | 2 | PC. |
| 6 | | | 151209 | ELBOW | 2 | PC. |
| 8 | | | 365003 | BOLT FOR CONSOLE | 4 | PC. |
| 9 | | | 352087 | CYLINDER HEAD BOLT | 4 | PC. |
| 10 | | | 382011 | SPRING WASHER | 4 | PC. |
| 11 | | | 151404 | DISCHARGE ELBOW | 1 | PC. |
| 12 | | | 230092S | DISCHARGE TUBE ASSY | 1 | PC. |
| 13 | | | 151001 | UNLOADING ELBOW | 3 | PC. |
| 14 | | | 441025 | NIPPLE | 1 | PC. |
| 15 | | | 213009 | VALVE SEAT TO CYLINDER GASKET | 1 | PC. |
| 16 | | | 201013 | CYLINDER | 1 | PC. |
| 17 | | | 203002 | PISTON | 1 | PC. |
| 18 | | | 206002 | COMPRESSION RING | 2 | PC. |
| 19 | | | 207002 | OIL CONTROL RING | 1 | PC. |
| 20 | | | 204002 | PISTON PIN | 1 | PC. |
| 21 | | | 205001 | PISTON PIN SNAP RING | 2 | PC. |
| 22 | | | 214001 | CYLINDER TO CRANKCASE GASKET | 1 | PC. |
| 23 | | | 371005 | SET NUT (CYLINDER TO CRANKCASE) | 2 | PC. |
| 24 | | | 382005 | SPRING WASHER (CYLINDER TO CRANKCASE) | 2 | PC. |
| 25 | | | 358001 | DOUBLE HEAD SCREW | 2 | PC. |
| 26 | | | 403003 | RETAINER CAP FOR WHEELS #402007 | 2 | PC. |
| 27 | | | 215001 | CRANKCASE COVER GASKET | 1 | PC. |
| 28 | | | 302001 | CRANKSHAFT | 1 | PC. |
| 29 | | | 304014 | CRANKCASE COVER | 1 | PC. |
| 30 | | | 316001 | CONNECTING ROD | 1 | PC. |
| 31 | | | 321001 | OIL SIGHT GAUGE | 1 | PC. |
| 32 | | | 360001 | OIL DRAINING PLUG | 1 | PC. |
| 33 | | | 433011 | MOTOR COVER | 1 | PC. |
| 34 | | | 352071 | MOTOR/CRANKCASE COVER BOLT | 9 | PC. |
| 35 | | | 170013 | AIR FILTER ASSY | 1 | PC. |
| 36 | | | 324003 | OIL FILLER/CRANKCASE BREATHER | 1 | PC. |
| 37 | | | 251209 | ELECTRIC MOTOR/CRANKCASE | 1 | PC. |
| 38 | | | 402007 | WHEEL (NO-FLAT) | 2 | PC. |
| 39 | | | 217001 | OIL GAUGE GASKET | 1 | PC. |
| 40 | | | 401130 | AIR TANK WITH FRAME | 1 | PC. |
| 41 | | | 411029 | PRESSURE GAUGE | 2 | PC. |
| 42 | | | 410029 | REGULATOR | 1 | PC. |
| 43 | | | 435016 | RUBBER HANDLE | 3 | PC. |
| 44 | | | 434006 | TANK FOOT ASSY | 2 | PC. |
| 46 | | | 407001 | SAFETY VALVE (1/4") | 1 | PC. |
| 47 | | | 413008 | DRAIN COCK | 1 | PC. |
| 48 | | | 409004 | CHECK VALVE | 1 | PC. |
| 49 | | | 452015 | POWER CORD | 1 | PC. |
| 50 | | | 412025 | PRESSURE SWITCH | 1 | PC. |
| 51 | | | 441001 | REGULATOR NIPPLE | 1 | PC. |
| 52 | | | 228070 | UPLOADING TUBE ASSY (1/4") | 1 | PC. |
| 53 | | | 431010 | MOTOR FAN | 1 | PC. |
| 54 | | | 151002 | UNLOADING ELBOW | 1 | PC. |
| 55 | | | 360002 | PLUG | 2 | PC. |
| 56 | | | 421006 | MANIFOLD BLOCK | 1 | PC. |
| 57 | | | 439008 | RUBBER CUP | 6 | PC. |
| 58 | | | 435015 | TOOL BOX LOCK | 1 | PC. |
| 59 | | | 435010 | FOLDING HANDLE LOCK SET (L&R) | 1 | PC. |

| Item No. | Type | Sub | Part No. | Description | Qty | Unit |
|---------------------------|------|-----|------------|------------------------------------------|-----|------|
| 60 | | | 480039 | TOOL BOX | 1 | PC. |
| 61 | | | 453076 | WIRING HARNESS (MOTOR PR. SWITCH) | 1 | PC. |
| 62 | | | 353145 | BOLT FOR FOLDING HANDLE LOCK | 2 | PC. |
| 63 | | | RK5200 | RING KIT (Includes Item 18 & 19) | 1 | PC. |
| 64 | | | 382004 | SPRING WASHER FOR MOTOR COVER | 4 | PC. |
| 65 | | | GK5200 | GASKET KIT (Includes 2, 4, 15 & 22) | 1 | PC. |
| 66 | | | 457002 | STRAIN RELIEF CLIP | 1 | PC. |
| 67 | | | 435006 | FOLDING HANDLE | 1 | PC. |
| 68 | | | 351074 | BOLT FOR FOLDING HANDLE LOCK | 2 | PC. |
| 69 | | | 460008 | START CAPACITOR | 1 | PC. |
| 70 | | | 462009 | RUN CAPACITOR | 1 | PC. |
| 71 | | | 458003 | OVERLOAD SWITCH | 1 | PC. |
| 72 | | | 459002 | CENTRIFUGAL SWITCH | 1 | PC. |
| 73 | | | 455015 | CAPACITOR COVER | 2 | PC. |
| 74 | | | 352106 | CRANKSHAFT BOLT | 1 | PC. |
| 75 | | | 488005 | BASE PLATE | 1 | PC. |
| 76 | | | 247110 | TUBE 3/8" (Added) | 1 | PC. |
| 77 | | | 240050 | TUBE 5/32" x 1/4" (Added) | 1 | PC. |
| 78 | | | 353145 | BOLT (Added) | 1 | PC. |
| 80 | | | 353001 | SCREW F/PRESSURE GAUGE | 1 | PC. |
| 81 | | | 371001 | NUT F/PRESSURE GAUGE | 1 | PC. |
| C01 | | | 471151 | CARTON | 1 | PC. |
| <u>ACCESSORIES</u> | | | | | | |
| A01 | | 1 | 447013 | QUICK COUPLER (1/4") | 2 | PC. |
| | | 2 | 10TT-8 | QUICK COUPLER (1/4") | 2 | PC. |
| A02 | | | 171006 | AIR FILTER (ELEMENT ONLY) | 1 | PC. |
| A03 | | | 181122-A | COMPRESSOR OIL (.3L) (Photo N/A) | 1 | PC. |
| | | | EAOIL10 | COMPRESSOR OIL (1 LITER) | 1 | PC. |
| A04 | | | YY036003-A | QUICK CONNECT 1/4" X 1/4" MALE | 1 | PC. |
| A05 | | | YY36003-1 | QUICK CONNECT 1/4" X 3/8" MALE | 1 | PC. |
| A06 | | | YY311002-X | QUICK CONNECT 1/4" X 1/4" FEMALE | 1 | PC. |
| A07 | | | YY311018-A | UNIVERSAL AIR COUPLER 1/4" X 1/4" FEMALE | 1 | PC. |
| A08 | | | YYVAH25 | 3/8" X 25' P.V.C. AIR HOSE | 1 | PC. |
| | | | YYVAH50 | 3/8" X 50' P.V.C. AIR HOSE | 1 | PC. |
| | | | YYRAH25 | 3/8" X 25' RUBBER AIR HOSE | 1 | PC. |
| | | | YYRAH50 | 3/8" X 50' RUBBER AIR HOSE | 1 | PC. |
| | | | YYRAH100 | 3/8" X 100' RUBBER AIR HOSE | 1 | PC. |